

PROMENADE DECK DRAINS

LARGE - 14" (355) DECK DRAINS

FUNCTION: Used in flat roofs and decks which are designed as parking decks or promenades for recreational purposes. Body and accessories are compatible for installation in all types of roof construction. Large square top blends in with "block" patterns and has sufficient open free area for proper drainage.

Free Area
 50.25 SQ IN
 (324) SQ CM

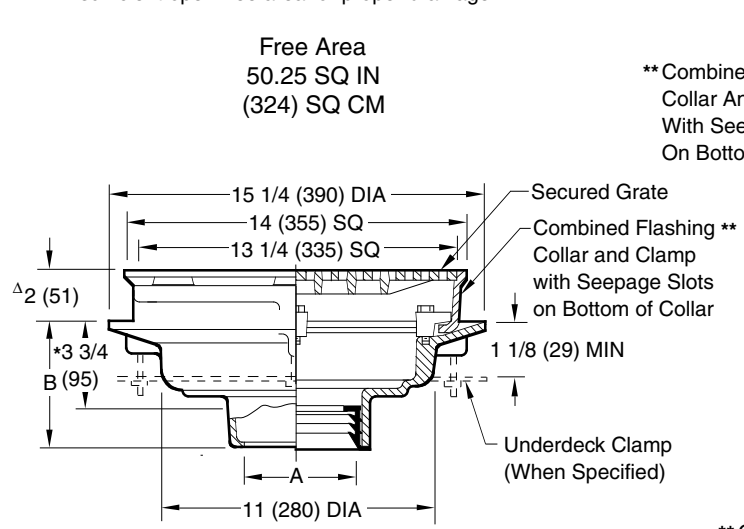


Fig. 1410C CAULK OUTLET
 Fig. 1410Y NO-HUB OUTLET

*This Dimension to Internal Stop of Speedi-Set Gasket.
 **Specify Suffix-W for Applications Requiring "Loose-Set" Pavers.

A Size	B	
	Caulk, NO-HUB, & Speedi-Set	Threaded
02(50),03(75),04(100), 05(125),06(150)	5 (125)	3 3/4 (95)

Δ Add 1/8" (3) when bronze top is specified.

recommended deck opening

with suffix -R	17 (430) DIA
less Suffix -R	14 (355) DIA

NOTES: Specify Secondary Flashing Clamp when Drain is to be Flashed at Flange below insulation.

Floor drains or area drains used to drain areas subject to rainfall should have an open area equal to twice the cross sectional area of the connecting pipe.

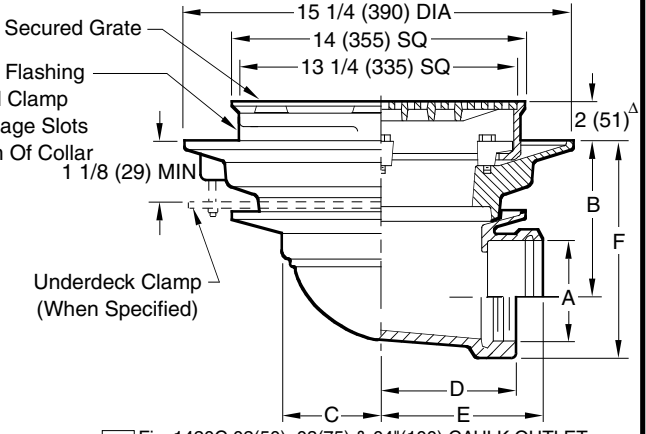


Fig. 1420C 02(50), 03(75) & 04"(100) CAULK OUTLET
 Fig. 1420T 02(50), 03(75) & 04"(100) THREADED OUTLET

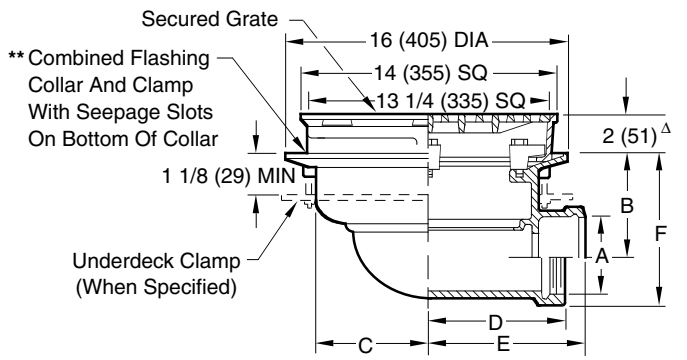


Fig. 1420C 05(125) & 06"(150) CAULK OUTLET
 Fig. 1420T 05(125) & 06"(150) THREADED OUTLET

A SIZE	02 (50)	03 (75)	04 (100)	05 (125)	06 (150)
B	6 7/8 (175)	6 3/8 (162)	5 7/8 (149)	5 (125)	4 1/2 (115)
C	4 3/4 (120)	4 3/4 (120)	4 3/4 (120)	6 1/4 (160)	6 1/4 (160)
D	6 (150)	6 (150)	6 (150)	6 5/8 (168)	6 7/8 (175)
E	7 1/4 (185)	7 1/2 (190)	7 3/4 (195)	7 3/4 (195)	7 3/4 (195)
F	8 5/8 (219)	8 3/4 (220)	8 3/4 (220)	8 1/2 (215)	8 1/2 (215)

REGULARLY FURNISHED:

Duco Cast Iron Body and
 Flashing Clamp with Seepage
 Openings and Secured Square
 Hole Heavy Duty Grate.

- VARIATIONS:**
- 3 3/4" (95) Deep Body (Fig. 1410 only)
 - Ductile Iron Undergrate with Vandal Proof Polished Bronze Top Veneer (Specify Fig. 1412)
 - Ductile Iron Undergrate with Vandal Proof Nickel Bronze Top Veneer (Specify Fig. 1412)
 - Expansion Joint (Specify Fig. 1710)
 - Extension -E (Specify Height)
 - "L" Shaped Underdeck Clamp -CL
 - L Speedi-Set Service Weight 02(50), 03(75) & 04"(100) sizes only (Fig. 1410 only)

- LXH Speedi-Set Extra Heavy 02(50), 03(75) & 04"(100) sizes only (Fig. 1410 only)
- NO-HUB Adaptor (Specify Fig. 2646Y) (Fig. 1420 only)
- Secondary Flashing Clamp -C2
- Sump Receiver -R
- Underdeck Clamp -C
- Vandal Proof Grate -U
- T Threaded Outlet

OPTIONAL MATERIALS:

- Ductile Iron Grate -M
- Galvanized Cast Iron -G
- Nickel Bronze Top -NB
- Polished Bronze Top -PB

NOTE: Dimensions shown in parentheses are in millimeters.

DRAWING NUMBER
S1410

SIZE
A

SCALE:
NONE

DATE:
3-1-85

APPROVED BY:
TD

CHECKED BY:
TD

DRAWN BY:
WAS

1410, 1420

FIGURE NUMBER

WE CAN ASSUME NO RESPONSIBILITY FOR USE OF SUPERSEDED OR VOID DATA

DIMENSIONS ARE SUBJECT TO MANUFACTURERS TOLERANCE AND CHANGE WITHOUT NOTICE

REV.	DATE	DESCRIPTION	BY	CKD. BY	WEIGHT POUNDS	VOLUME CUBIC FEET	FIGURE NUMBER
	2/2/01	Rev. Opt. Mat. Submittal Update	RN	BS			1410, 1420
	12/13/99	Rev. Submittal Added Millimeters	JJ	BS			
	05/26/99		CMD	BS			
	06/13/95		EMB	BS			