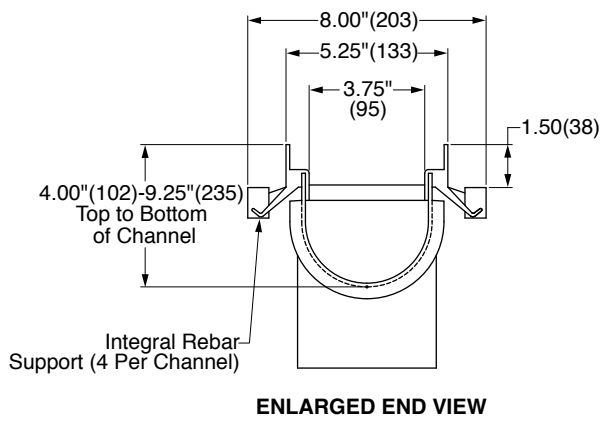
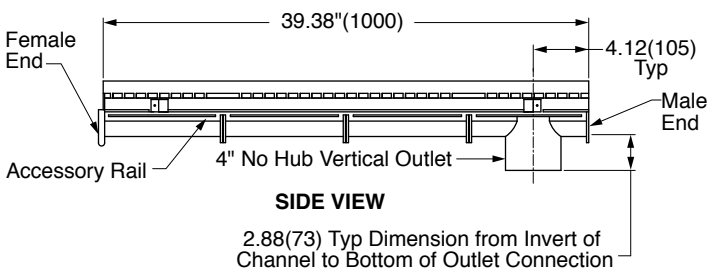
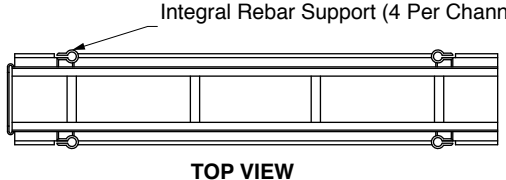
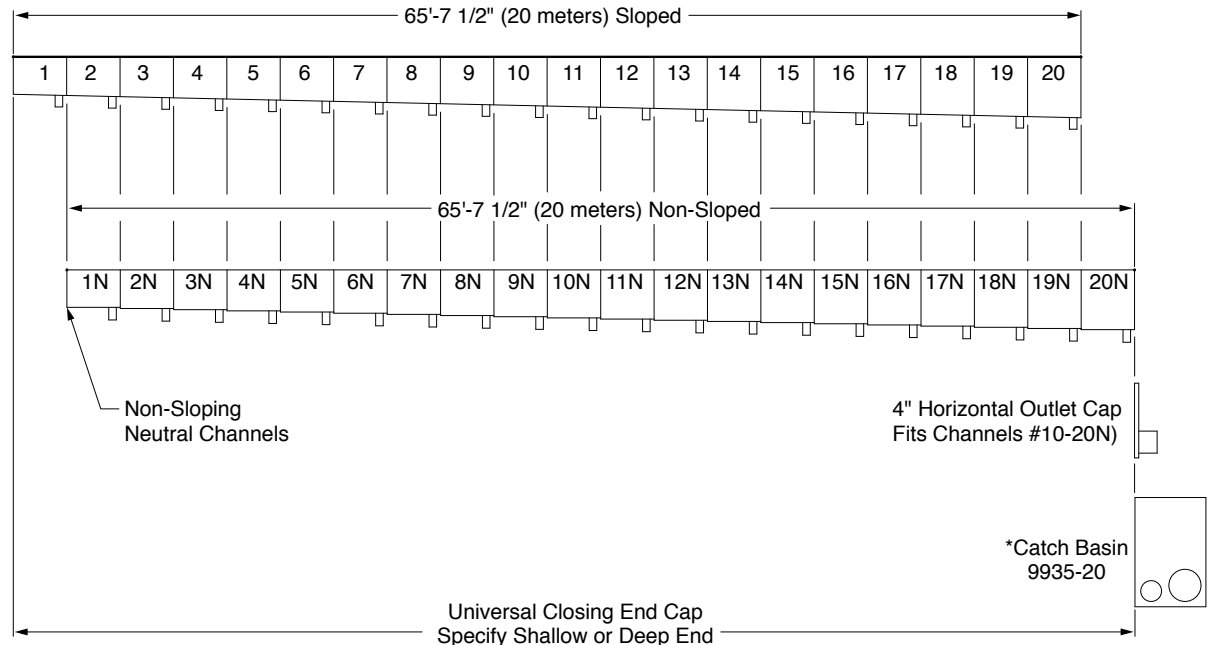


DRAWING NUMBER: **S9930**
 SIZE: **A**
 SCALE: **NONE**
 DATE: **8-11-94**
 APPROVED BY: **PACE**
 CHECKED BY: **PACE**
 DRAWN BY: **TWK**
 FIGURE NUMBER: **9930**

WE CAN ASSUME NO RESPONSIBILITY FOR USE OF SUPERSEDED OR VOID DATA
 DIMENSIONS ARE SUBJECT TO MANUFACTURERS TOLERANCE AND CHANGE WITHOUT NOTICE

9930 SERIES ENVIRO-FLO® II DRAIN SYSTEM

FUNCTION: Used in all surface drainage applications, may be assembled in any length utilizing interlocking tongue and groove ends. This reduces installation time and cost, providing an engineered sloped solution for drainage requirements.



REGULARLY FURNISHED:
 1 Meter (3.28') 100% Polypropylene Post Industrial Recycled Material with U.V. Inhibitors. Channel of Interlocking Design with a Built-in Slope of 0.6% with Radiused Bottom. Supplied with Secured Grate.

- VARIATIONS:**
- Grate Specifications (See Back)
 - Closing End Cap Shallow -ES
 - Closing End Cap Deep -ED
 - Horizontal Outlet 4" -H4
 - Catch Basin Only 9935-20
 - Catch Basin Plastic Bucket -BP
 - Direction Change Coupling -DCC
 - Stainless Steel Overlay Rails -SSR
 - 9849 Rante Arrow
 - 4" NO-HUB Vertical Outlet -V4

Note: Dimensions in Parentheses are in mm.

***Note:** If Catch Basin is Specified For Any Other Channel Except For the #20 Channel, a Shim Must be Ordered, P/N: 9930-ES

Note: This Trench Drain System is Designed for "On Grade Applications Only" as There are No Provisions for a Flashing Flange or Flashing Clamp

****Note:** All 1 Meter Long Sloped and Neutral Channels Have a Molded 4"(111) No-Hub Bottom Connection.

U	10-16-12	Revised and Redrawn	TBW	MD	WEIGHT POUNDS	VOLUME CUBIC FEET	FIGURE NUMBER
REV.	DATE	DESCRIPTION	BY	CKD. BY			9930

N



JAY R. SMITH MFG. CO.®
 MEMBER OF MORRIS GROUP INTERNATIONAL
 POST OFFICE BOX 3237
 MONTGOMERY, ALABAMA 36109-0237 (USA)
 TEL: 334-277-8520 FAX: 334-272-7396 www.jrsmith.com



MEMBER OF:

LOCATION

DRAWING NUMBER
S9930BS

SIZE
A

SCALE:
NONE

DATE:
8-2-93

APPROVED BY:
PACE

CHECKED BY:
PACE

DRAWN BY:
TWK

9930BS

WE CAN ASSUME NO RESPONSIBILITY FOR USE OF SUPERSEDED OR VOID DATA

DIMENSIONS ARE SUBJECT TO MANUFACTURERS TOLERANCE AND CHANGE WITHOUT NOTICE

9930 SERIES ENVIRO-FLO® II DRAIN SYSTEM

Light Duty DIN 19580 Load Class A:
 3500 lbs - 70 psi. For pedestrian, wheelchair and bicycle traffic.

- * **9870-410-GP** - 1/4 dia perforated galv. steel grate (28.30 sq. in.)
- * **9870-420-G** - 3 1/4 x 3/8 slotted galv. steel grate (35.20 sq. in.)
- 9870-440-VF** - 4 7/8 x 5/8 vinylester fiberglass bar grate (116.80 sq. in.) (Non Q-lok)
- 9870-440-VF2** - 4 7/8 x 3/8 vinylester fiberglass bar grate (116.80 sq. in.) (Non Q-lok)
- * **9870-450-SS** - 3 1/4 x 3/8 slotted stainless steel grate (42.60 sq. in.)
- * **9870-451-SSPA** - 1/4 dia perforated stainless steel grate (28.30 sq. in.)
- * **9870-445-SSADA** - 13/16 x 3/16 longitudinal stainless steel slot bar grate (58.40 sq. in.)
- 9870-491-HPP** - 1 13/16 x 1/4 slotted black polypropylene grate (17.00 sq. in.) (Non Q-lok)
- * **9870-494-PADAB** - 1 3/4 x 5/16 longitudinal slot black polypropylene grate (27.40 sq. in.)
- * **9870-494-PADAG** - 1 3/4 x 5/16 longitudinal slot gray polypropylene grate (27.40 sq. in.)

Heavy Duty DIN 19580 Load Class C:
 56,000 lbs - 1,162 psi. For commercial pneumatic tire traffic patterns, forklifts and tractor trailers.

- * **9870-405-GM** - 13/16 x 1/2 longitudinal galv. steel slot bar grate (121.10 sq. in.)
- * **9870-411-GPHD** - 1/4 dia perforated galv. steel grate (28.30 sq. in.)
- * **9870-416-GS** - solid galvanized steel cover
- * **9870-425-GHD** - 3 1/4 x 3/8 slotted galv. steel grate (35.20 sq. in.)
- * **9870-430-SSM** - 13/16 x 1/2 longitudinal stainless steel slot bar grate (121.10 sq. in.)
- * **9870-455-SSHD** - 3 1/4 x 3/8 slotted stainless steel grate (42.60 sq. in.)
- 9870-460-CI** - 3 15/16 x 3/8 cast iron slotted grate (21.00 sq. in.) (Non Q-lok)
- * **9870-479-MD** - Mosaic pattern ductile iron grate (19.50 sq. in.)
- * **9870-492-RC** - 1 1/2 x 13/16 slotted resin composite grate (16.30 sq. in.)

*Supplied with QuickLok® securing device regularly furnished

HYDRAULIC CAPACITY AND DEEP END DEPTHS 9930 SYSTEM

CHANNEL NUMBER	DEEP END DEPTH		SLOPE	SINGLE CHANNEL		WEIGHT Lbs.
	IN.	MM.		EST CFS	EST GPM	
9930-1	4.38	111	0.6%	.29	130	6.50
9930-1N	4.38	111	0.0%	.29	130	6.50
9930-2	4.62	117	0.6%	.31	139	6.60
9930-2N	4.62	117	0.0%	.31	139	6.60
9930-3	4.88	124	0.6%	.34	153	6.80
9930-3N	4.88	124	0.0%	.34	153	6.80
9930-4	5.12	130	0.6%	.36	162	6.90
9930-4N	5.12	130	0.0%	.36	162	6.90
9930-5	5.38	137	0.6%	.39	175	7.00
9930-5N	5.38	137	0.0%	.39	175	7.00
9930-6	5.62	143	0.6%	.42	189	7.20
9930-6N	5.62	143	0.0%	.42	189	7.20
9930-7	5.88	149	0.6%	.45	202	7.40
9930-7N	5.88	149	0.0%	.45	202	7.40
9930-8	6.12	155	0.6%	.47	211	7.60
9930-8N	6.12	155	0.0%	.47	211	7.60
9930-9	6.38	162	0.6%	.49	220	7.60
9930-9N	6.38	162	0.0%	.49	220	7.60
9930-10	6.62	168	0.6%	.53	238	7.80
9930-10N	6.62	168	0.0%	.53	238	7.80
9930-11	6.68	170	0.6%	.56	251	8.00
9930-11N	6.68	170	0.0%	.56	251	8.00
9930-12	7.12	181	0.6%	.58	261	8.00
9930-12N	7.12	181	0.0%	.58	261	8.00
9930-13	7.38	187	0.6%	.61	274	8.40
9930-13N	7.38	187	0.0%	.61	274	8.40
9930-14	7.62	194	0.6%	.64	287	8.40
9930-14N	7.62	194	0.0%	.64	287	8.40
9930-15	7.88	200	0.6%	.67	301	8.60
9930-15N	7.88	200	0.0%	.67	301	8.60
9930-16	8.12	206	0.6%	.70	314	8.80
9930-16N	8.12	206	0.0%	.70	314	8.80
9930-17	8.38	213	0.6%	.73	328	8.80
9930-17N	8.38	213	0.0%	.73	328	8.80
9930-18	8.62	219	0.6%	.76	341	9.00
9930-18N	8.62	219	0.0%	.76	341	9.00
9930-19	8.88	226	0.6%	.79	355	9.20
9930-19N	8.88	226	0.0%	.79	355	9.20
9930-20	9.12	232	0.6%	.82	368	9.40
9930-20N	9.12	232	0.0%	.82	368	9.40

Note: Channel flow rates based on channels less grates and open ended.

Note: The grate securing bolts must remain secured in the grate and tightened to the locking bar installed in the channel. If the grate securing bolts are removed for maintenance of the trench drain, they must be replaced and re-tightened. If the grate securing bolts are left out of the grates, the life span of the trench drain system could be affected along with the safety of pedestrian traffic.

REV.	DATE	DESCRIPTION	BY	CKD. BY
N	10-17-12	Rev. Grates and Channels	TBW	MD

WEIGHT POUNDS	VOLUME CUBIC FEET	FIGURE NUMBER
		9930BS