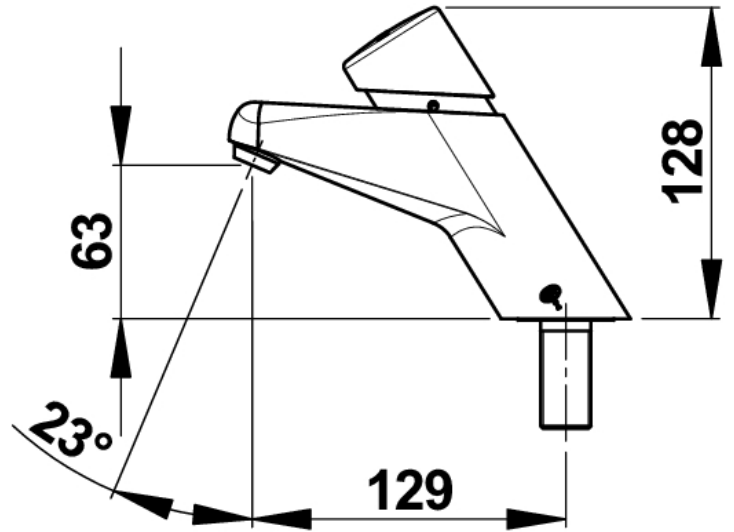


**Range :** Single deck-mounted tap

**Ref :** 20000 - PRESTOMAT 2000



> **Working pressure :**

- 1 to 5 bar

> **Flow :**

- 4l/min Flow limiter / 5-position flow adjustment device inaccessible to users
- Anti-water-hammering design
- Vandalism proof and anti-clogging spout

> **Flow time :**

- 15 seconds ( ± 5 sec.) - 4-position flow adjustment device

> **Operation :**

- Simple push-button action to activate the water/flow

> **Hydraulic supply :**

- M G 1/2" (15x21) - Cold water (Blue skirt)

> **Thermal resistance :**

- Resistant to a temperature of 75°C for 30 minute thermal shock

> **Delivered with :**

- 1 G 1/2" nut for 12x14 tube with filter gasket
- 1 Stainless steel plain washer
- 1 Brass clamping nut
- 1 Nitrile plain washer
- Instruction manual

> **Standards & approvals :**

- Acoustic class I
- Brass body in accordance with EN 1982, EN 12164, EN 12165
- Chrome-plated surface treatment in accordance with EN 12540
- 200-hour neutral salt spray resistant (NSS) in accordance with ISO 9227

This document is not contractual. We reserve the right to modify the characteristics of our products without notice in advance. All our brands and models are registered trade marks.

