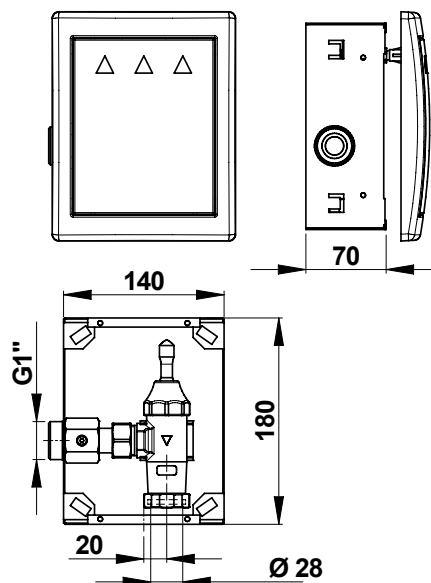


Range: COMPLETE CONCEALED FLUSH VALVE

Ref: 14920 - PRESTO 1000 A



> Dynamic working pressure :

- 1 to 5 bar

> Discharge volume per flush :

- 6 to 9 litres adjustable with stop valve
- Anti-water-hammering device

> Flow time :

- 7 to 9 seconds

> Functionality :

- Activation by simple pressing on the front plate

> Hydraulic supply :

- Right or left square M G 1" (26x34)
- Outlet connection on flush pipe Ø 28 mm

> Material and colour finish :

- Brass body with nickel-chrome plated
- Metal painted front plate

> Security :

- Vacuum breaker device prevents the contamination of the water network from polluted water backflow

> Delivered with:

- 1 Concealed case
- 1 front plate
- 1 coupling connector for pipe dia.28mm
- 1 Instruction manual

> Standards & approvals :

- Brass body in accordance with EN 1982, EN 12164, EN 12165
- Nickel-Chrome plated according to EN12540
- 200-hour neutral salt spray resistant (NSS) in accordance with ISO 9227

