



TERN ENGINEERING LTD.

15 GAN RAVE Blvd.

81222 GAN RAVE

YAVNE, ISRAEL

TEL: 972-8-9326000

AX: 972-8-9326025

E - M A I L :

EXPORT@STERNFAUCETS.COM

WWW.STERNFAUCETS.COM



CLASSIC SERIES ELECTRONIC LAVATORY FAUCETS

INSTALLATION & MAINTENANCE GUIDE

CLASSIC



CLASSIC B



CLASSIC E



CLASSIC 1000



CLASSIC 1000 B



CLASSIC 1000 E



CLASSIC 1000 M



CLASSIC 1000 BM



CLASSIC 1000 EM



TROUBLE SHOOTING

Problem	Indicator	Cause	Solution
No water coming out of the tap:	1. Sensor flashes continuously when user's hands are within the sensor's range.	Low battery.	Replace battery.
		1. Range is too short. 2. Range is too long. 3. Battery is completely used up.	Increase the range. Decrease the range. The battery must be replaced.
	3. Red light in the sensor flashes when user's hands are within the sensor's range.	4. Unit is in "Security Mode". 5. Sensor is picking up reflections from mirror or other object.	Eliminate cause of reflection.
		1. Connectors between the electronic unit and solenoid are disconnected.	Connect the electronic unit connectors to the solenoid.
		2. Debris or scale in solenoid.	Unscrew solenoid, pull out the plunger and the spring from solenoid and clean them. Use scale remover material if needed. When replacing the plunger, please make sure that the spring is in vertical position. Clean the orifice or replace diaphragm.
Water flow from spout does not stop:	1. Sensor flashes when user's hands are within the sensor's range.	3. The central orifice in the diaphragm is plugged or the diaphragm is torn.	Clean the orifice or replace diaphragm.
		4. The water supply pressure is higher than 8 bar.	Reduce the water supply pressure.
	2. Red light in the sensor does not flash when user's hands are within the sensor's range.	5. The water supply pressure is under 8 bars and yet the pressure in the faucet's body is higher. This situation could be caused by a sudden increase in the water supply pressure that the back-check prevents from dropping, even after water supply pressure drops under 8 bars.	Shut off water supply and unscrew one of the flexible pipes in order to reduce the pressure that blocks the product.
		Debris or scale in diaphragm or the diaphragm is torn.	Clean the orifice or replace diaphragm.
		1. Sensor is dirty or covered**.	Clean or eliminate cause of interference.
Water flow diminished.	2. Sensor is picking up reflections from mirror or another object. Filter or aerator is clogged.	2. Sensor is picking up reflections from mirror or another object. Filter or aerator is clogged.	Decrease the range or eliminate cause of reflection. Remove, clean and reinstall.

TECHNICAL DATA



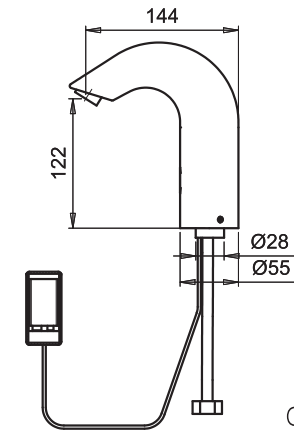
CLASSIC - CLASSIC B - CLASSIC E
Electronic faucet for cold or premixed water



CLASSIC 1000 - 1000 B - 1000 E
Electronic faucet with mixer to adjust the temperature



CLASSIC 1000 M - 1000 BM - 1000 EM
Electronic faucet with mixer to adjust the temperature and with override handle for alternative manual operation



CLASSIC B

Power supply:
Recommended water pressure:

Preset sensor range:
Minimum sensor range:
Maximum sensor range:
Hot water temperature:

9V battery or 9V transformer
0.5-8.0 bar (7-116 PSI)
With water pressure of more than 8 bars, use a pressure reducing valve for reduction.
220 mm Adjustable.
80 mm
300 mm
Max 70° C

MAINTENANCE

Filter cleaning instructions

This mixer is provided with one/two stainless steel filter(s) preventing foreign particles to enter the lines. If the water flow has decreased, this may be because the filter(s) is (are) clogged. The filter(s) can be cleaned as follows:

1. Shut-off the water shut off valve (angle valve).
2. a. Disconnect the flexible pipe.
b. For Classic 1000 models, disconnect the red and the blue flexible pipes from the back-checks and filter adapters and then disconnect the back-checks and filter adapters from the hot and cold water supplies.
3. Remove the filter(s) and wash it (them) under running water.
4. Reassemble the parts. For Classic 1000 models, reassemble the parts by putting back the filter(s) to the back-check and filter adapters.
5. Reconnect the flexible pipe(s) and restore the incoming water supply. For Classic 1000 models, make sure that the filter adapters and the filters are installed between the flexible pipes and the shut off valves (angle valves).
6. Make sure that there is no water leakage.

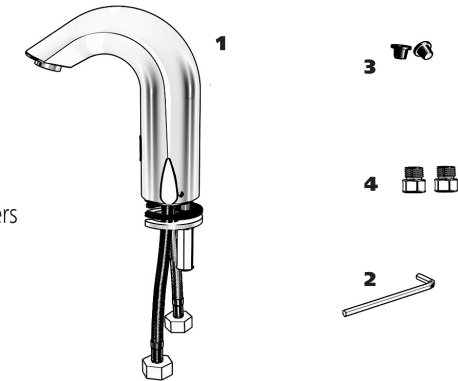
Care and cleaning of chrome and special finishes

DO NOT use steel wool or cleansing agents containing alcohol, acid, abrasives, or the like. Use of any prohibited cleaning or maintenance products or substances could damage the surface of the faucet. For surface cleaning of faucet use **ONLY** soap and water, then wipe dry with clean cloth or towel. When cleaning bathroom tile, the faucets should be protected from any splattering of harsh cleansers.

PACK CONTENTS

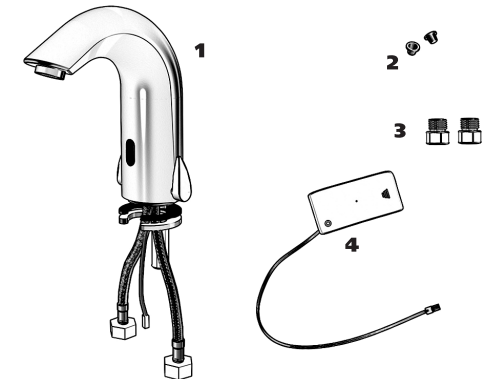
4. Classic 1000, 1000 M

1. 1x Tap and attachments
2. 1x Allen key
3. 2x Filters
4. 2x Back-checks and filter adapters



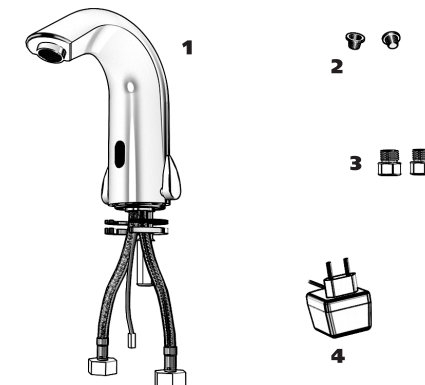
5. Classic 1000 B, 1000 BM

1. 1x Tap and attachments
2. 2x Filters
3. 2x Back-checks and filter adapters
4. 1x Battery box



6. Classic 1000 E, 1000 EM

1. 1x Tap and attachments
2. 2x Filters
3. 2x Back-checks and filter adapters
4. 1x Transformer



RANGE ADJUSTMENT

5. When the sensor enters into adjusting mode and your hand is in front of the sensor, a slow flashing of the red light at the front of the sensor will occur.
6. Keep your hand in front of the sensor until the slow flashing changes into quick flashing. At this point move your hand to the required distance from the sensor and wait until the red light will stop flashing.
7. When the red light has turned off, your sensor has been adjusted to the required distance.
8. Check the distance you have set and if it is not satisfactory, repeat steps 1-6.

Adjusting the sensor with a remote control - optional:

In order to adjust the sensor with a remote control you should hold the remote control straight in front of the sensor at a distance of about 4" (10cm). Choose the function you want to adjust by pressing once on one of the function buttons. After pressing once on a specific function button, a quick flashing of the red light at the front of the sensor will occur. At this stage, you can change the adjustment by pressing the (+) or (-) buttons, every push will increase or decrease one level.

Range: Press + to increase detection range and - to decrease the detection range of the sensor.

The remote control can also be used to adjust:

Flow Time (Security time): Press + to increase the security time and - to decrease it.

Delay In: Changes the time the water will start flowing when the user's hands are within the sensor range. Press + to increase it and - to decrease it.

Delay Out: Changes the time of water flow after the user's hands are removed. Press + to increase it and - to decrease it.

On/Off: Press this function button and the faucet will remain off for 1 minute. To cancel this function press the on/off button again.

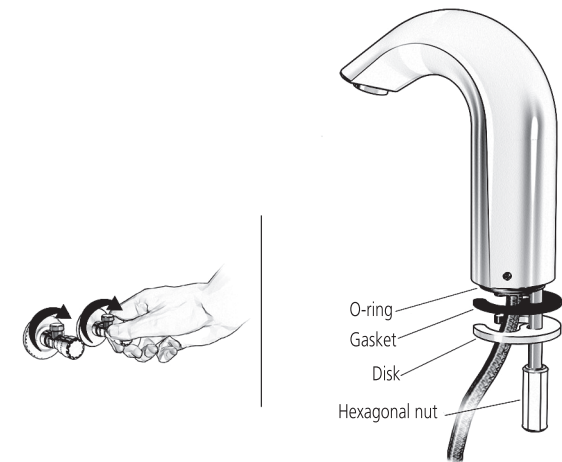
Reset: This function allows coming back to all the factory settings. Press the Reset button and without releasing it, press one time the + button.



FAUCET INSTALLATION

Step 1 - Remove all mounting hardware

1. Shut off water supply and remove the hexagonal nut, the disk and the gasket. Do not remove the O-ring from the base of the faucet.



Step 2 - Installing the faucet

1. Place the faucet with the O-ring into the hole in the deck or lavatory. Make sure the O-ring is located between the deck or lavatory and the bottom of the faucet.



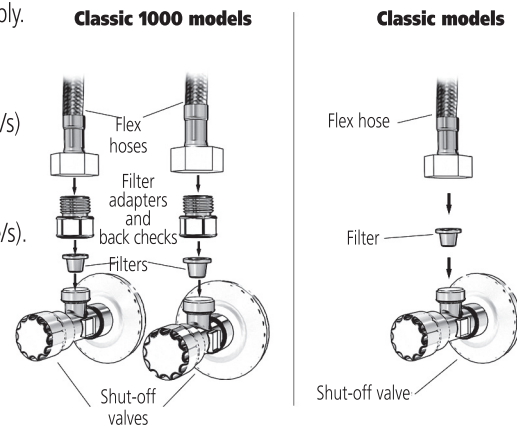
2. Slide the gasket over the flexible hose(s).

3. Secure the faucet to the deck or lavatory with the hexagonal nut and the disk.

F A U C E T I N S T A L L A T I O N

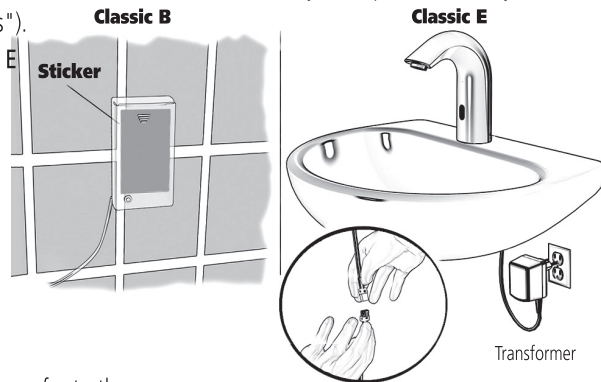
Step 3 - Connecting the water supply

1. a. Connect the flexible pipe to the water supply.
b. For Classic 1000 models, connect the red flexible pipe to the hot water supply and the blue flexible pipe to the cold water supply.
2. Make sure that the filter(s) is (are) installed between the flexible pipe(s) and the shut off valve(s) (angle valve/s) (not supplied).
3. Turn on the central water supply and the shut-off valve(s) (angle valve/s).
4. Check for leaks.



Step 4 - Connecting the power source

1. Connect the power source:
 - a. **Classic, Classic 1000 and Classic 1000 M:** contains an internally mounted battery. To activate it, remove the sticker from the sensor.
 - b. For **Classic B, Classic 1000 B and Classic 1000 BM:** install the battery's box underneath the sink using the two sided adhesive foam tape. The cable connection must point down. (You can use an optional extension cable in order to assemble the battery box up to 10ft. away from the sink. See section "Spare parts").
 - c. For **Classic E, Classic 1000 E and Classic 1000 EM:** Plug the transformer into the electricity socket and connect the connectors.
2. Wait a few seconds before activating the faucet.
3. If the range is unsatisfactory, refer to the section titled "Range adjustment".



R A N G E A D J U S T M E N T

The sensor range is the range an object can be away from the sensor in order to activate the faucet. The sensor is factory preset. If necessary, it can be adjusted as follows:

Adjusting the sensor range:

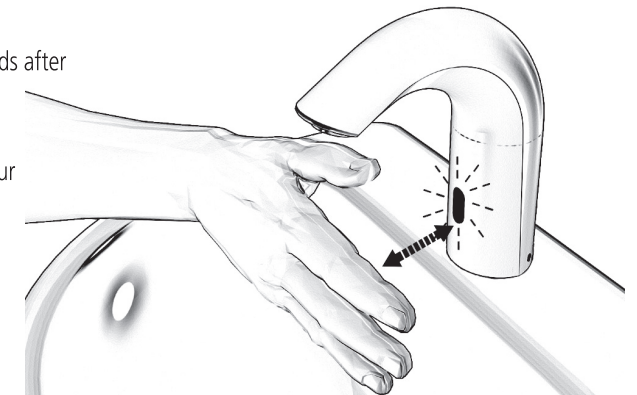
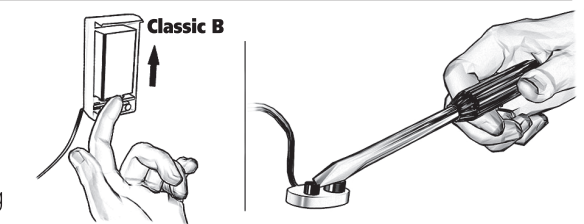
1. Disconnect the power supply, battery or transformer, from the sensor.
2. Make a short circuit between the (+) and the (-) of the sensor.
You can use a screw driver or another conductor material to make this short circuit. Alternatively, after disconnecting the power supply, activate the sensor three or four times.

Do not make a short circuit on the power supply or on the sensor when the power supply is connected to the sensor.

3. Reconnect the power supply to the sensor.
4. To enter into the adjusting mode, put your hand in front of the sensor at a distance of 2" (5cm) to 4" (10cm) within 5 seconds after the reconnection of the power supply.

Note: If you will not put your hand in front of the sensor after connecting the power supply, the sensor will not enter into adjusting mode and the previous setting will return.

Disconnect power supply



PRE-INSTALLATION INFORMATION

Check contents

Separate all parts from the packaging and check each part with the "Pack contents" section.

Pay attention to the different models variations.

Make sure all parts are accounted for before discarding any packaging material.

If any parts are missing, do not attempt to install your Classic electronic faucet until you obtain the missing parts.

Warnings

Do not install the faucet facing a mirror or any other electronic system operated by an infra-red sensor.

To prevent reflection problems, it is recommended to keep a minimum distance of 1.50 meters between the faucet and any other objects.

Preparation for installation

Flush water supply lines thoroughly before installing the faucet. Do not allow dirt, Teflon tape or metal particles to enter the faucet.

Shut off water supply.

Important

All plumbing is to be installed in accordance with applicable codes and regulations.

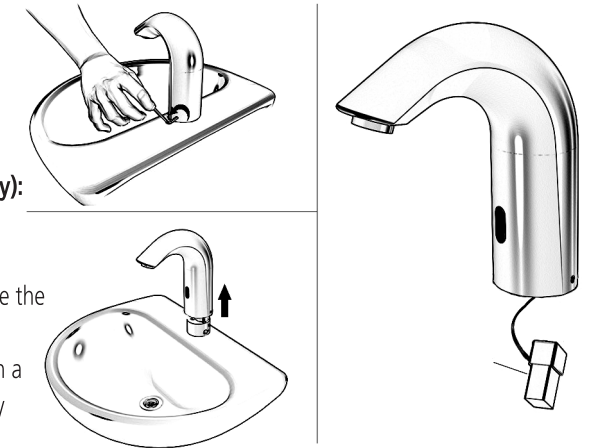
BATTERY REPLACEMENT INSTRUCTIONS

Battery models only

When the battery weakens, the red indicator light will blink at a constant rate. The battery must be replaced within two weeks.

To replace the battery at Classic, Classic 1000 and Classic 1000 M (models with internally mounted 9V battery):

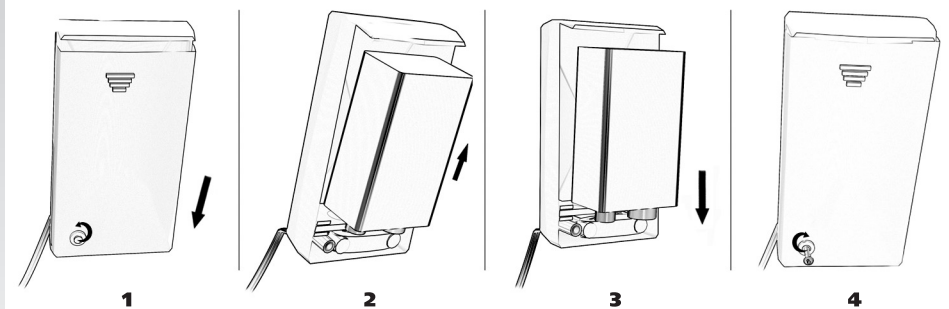
1. Turn off the shut off valve (angle valve).
2. Release the screw and remove the faucet's body.
3. Replace the used battery with a new 9V battery. (Lithium battery is recommended).



Important: make sure that the faucet is not wet when reassembling it.

Attention! To avoid entering into the adjusting mode, do not put your hand or any other object in front of the sensor within 5 seconds after reconnecting the battery.

4. Place the body, tighten the screw and turn on the shut off valve (angle valve).



To replace the battery at Classic B, Classic 1000 B and Classic 1000 BM :

1. Carefully open the battery's box.
2. Remove the old battery.
3. Replace the used battery with a new 9V battery (Lithium battery is recommended).
4. Close the box.

P A C K C O N T E N T S

Familiarize yourself with the part names and confirm that the parts are included.

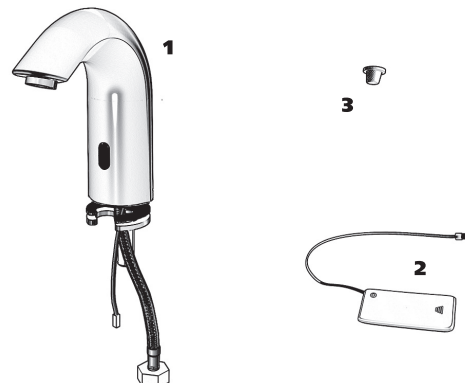
1. Classic

1. 1x Tap and attachments
2. 1x Allen key
3. 1x Filter



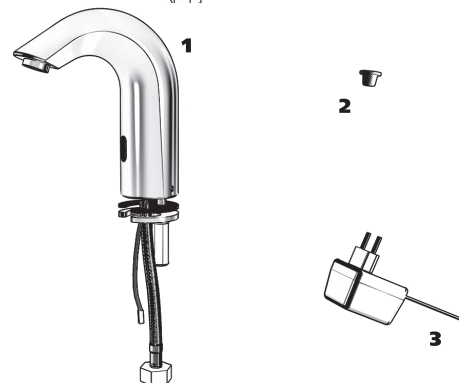
2. Classic B

1. 1x Tap and attachments
2. 1x Filter
3. 1x Battery box



3. Classic E

1. 1x Tap and attachments
2. 1x Filter
3. 1x Transformer



S P A R E P A R T S

Spare parts list

- | | |
|--|------------------|
| 1. Seals and screws kit for CLASSIC B and CLASSIC E | Cat.No. 07210012 |
| 2. Seals and screws kit for CLASSIC 1000 models | Cat.No. 07210013 |
| 3. Sensor kit | Cat.No. 07220021 |
| 4. Filter adapter kit for CLASSIC B and CLASSIC E | Cat.No. 07212001 |
| 5. Filter and back-check adapter kit for CLASSIC 1000 models | Cat.No. 08520003 |
| 6. Solenoid valve kit | Cat.No. 07230002 |
| 7. Diaphragm | Cat.No. 04500001 |
| 8. Insert for CLASSIC kit | Cat.No. 07240008 |
| 9. Insert for CLASSIC 1000 kit | Cat.No. 07240009 |
| 10. Nipple kit | Cat.No. 07246003 |
| 11. Battery box (B models only) | Cat.No. 06530001 |
| 12. Transformer (E models only) | Cat.No. 06522010 |

Optional accessories:

- | | |
|-------------------------------------|-------------------|
| 13. Extension cable (B models only) | Cat.No. 06009015 |
| 14. Remote control | Cat.No. 07100001 |
| 15. IP65 Batteries box | Cat.No. 06530020 |
| 16. Power Splitter 2-way | Cat. No. 06001001 |
| 17. Power Splitter 3-way | Cat. No. 06001002 |
| 18. Power Splitter 4-way | Cat. No. 06001003 |
| 19. Mixing valve | Cat. No. 200060 |

I N d E X

1	TECHNICAL DATA
2-3	PACK CONTENTS Classic Classic B Classic E Classic 1000, 1000 M Classic 1000 B, 1000 BM Classic 1000 E, 1000 EM
4	PRE-INSTALLATION INFORMATION
5-6	FAUCET INSTALLATION
7-8	RANGE ADJUSTMENT Adjusting the sensor range Adjusting the sensor range with a remote control - optional
9	BATTERY REPLACEMENT INSTRUCTIONS To replace the battery at Classic B models
10	MAINTENANCE Filters cleaning instructions Care and cleaning of chrome and special finishes
11	SPARE PARTS
12	TROUBLE SHOOTING
13	WARRANTY

W A R R A N T Y

L I M I T E D W A R R A N T Y

This product is covered by a limited warranty of two years from date of purchase.

During this period, STERN undertakes, at its option, to repair or replace any faults caused by defective materials or manufacturer defaults that may arise (see Stern Warranty).

The guarantee does not cover faults or damage caused by incorrect installation and/or maintenance, wear and tear, battery, or water composition. This includes, but is not limited to the following:

- Incorrect installation, inversions of supply pipes.
- Pressures or temperatures exceeding recommended limits.
- Improper manipulation, tampering, bad or lapsed maintenance.
- Foreign bodies, dirt or scale introduced by the water supply.

* "Security Mode": If the sensor is covered for more than 90 sec. the faucet will automatically shut off water flow. To return to normal operation remove any blockage.

** Water flow will stop after 90 seconds because of the security time.