

TECHNICAL DATA

SANISAN

Range of macerators and pumps to improve your home

I INDEX

Which product to use for my application?

p. 3

Sanisan 2

p. 4 - 5

Sanisan 3

p. 6 - 7

Sanisan 4

p. 8 - 9

p. 10 - 11

I Which product to use for my application?

→ TO CREATE OR UPGRADE A BATHROOM...



SANISAN2



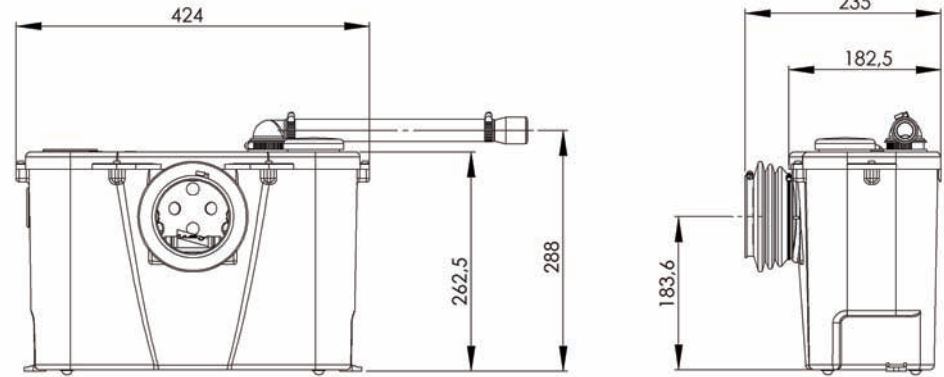
SANISAN3

→ TO CREATE OR UPGRADE A KITCHEN OR LAUNDRY ROOM...

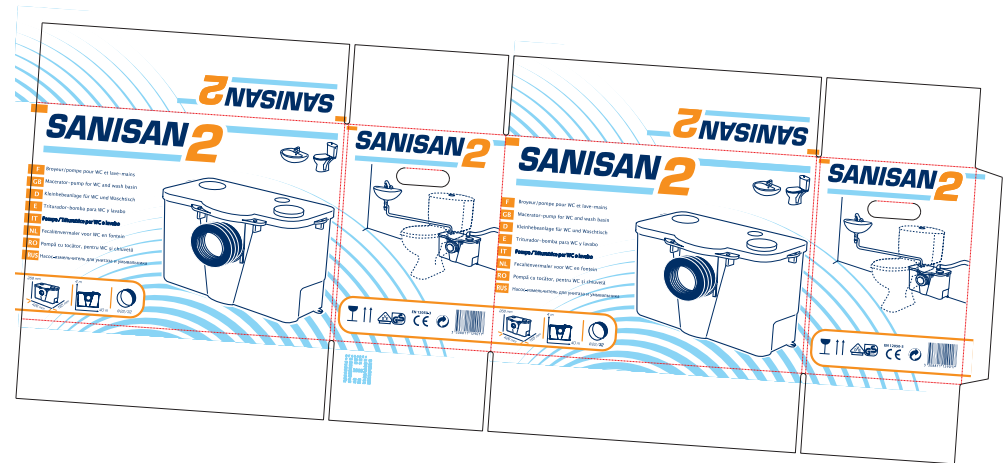


SANISAN4

SANISAN²



A macerator to evacuate the waste from a traditional **toilet** and a **wash basin**

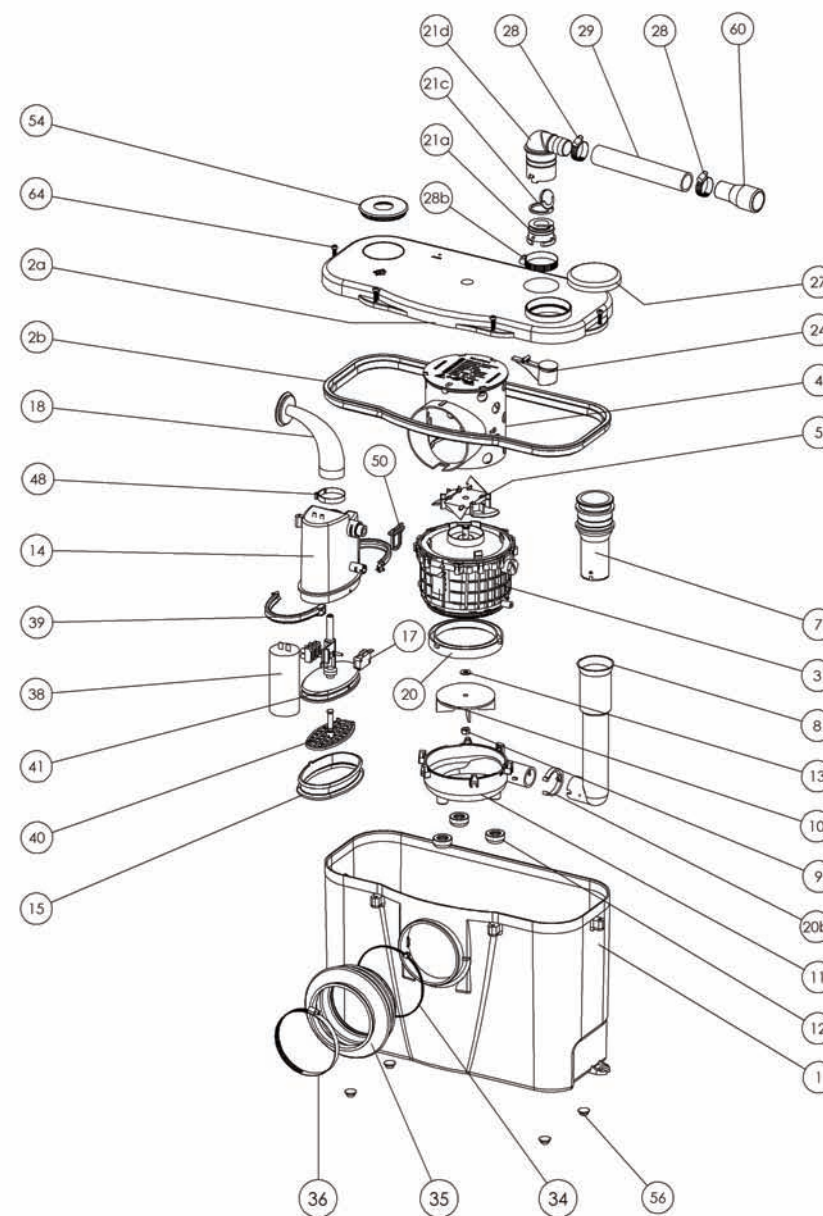


:: TECHNICAL DATA ::



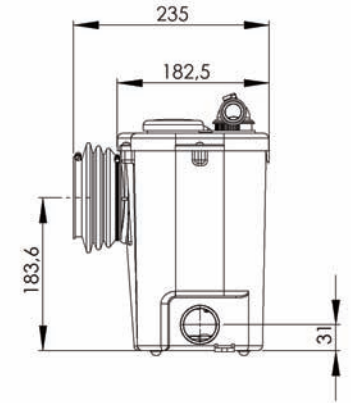
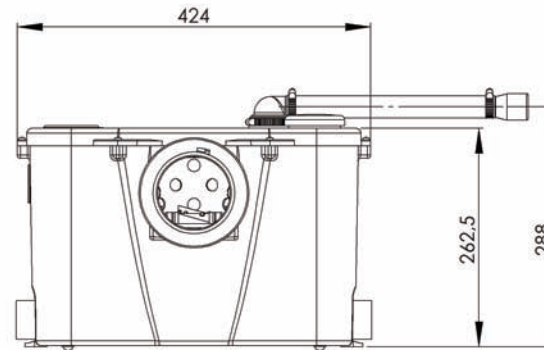
- ∨ Vertical discharge
- ∨ Horizontal discharge*
- ∨ Upper inlet
- ∨ Discharge
- ∨ Grinding system
- ∨ Power
- ∨ Power consumption
- ∨ Index of protection

Up to 4 m
 Up to 40 m
 1x40mm
 22-32 mm
 Knife
 220-240V 50Hz
 400W
 IP44

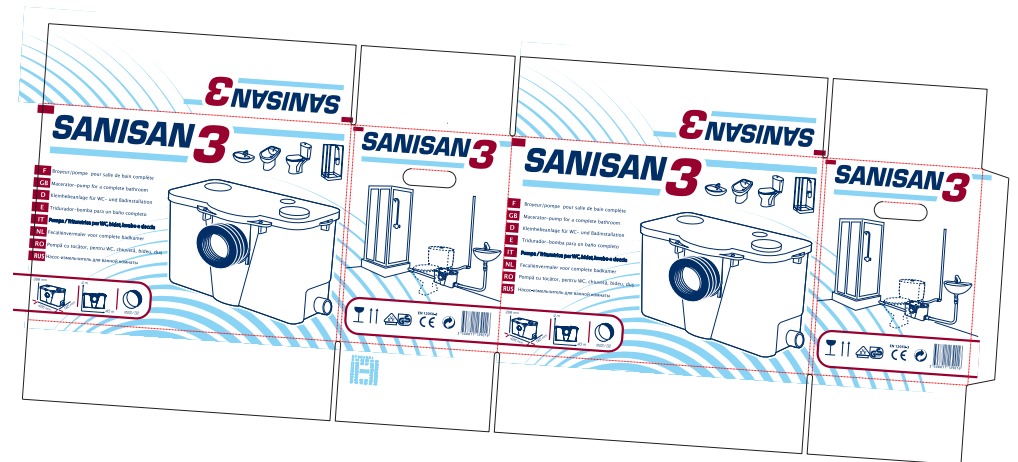


* with a slope of 1%

SANISAN 3



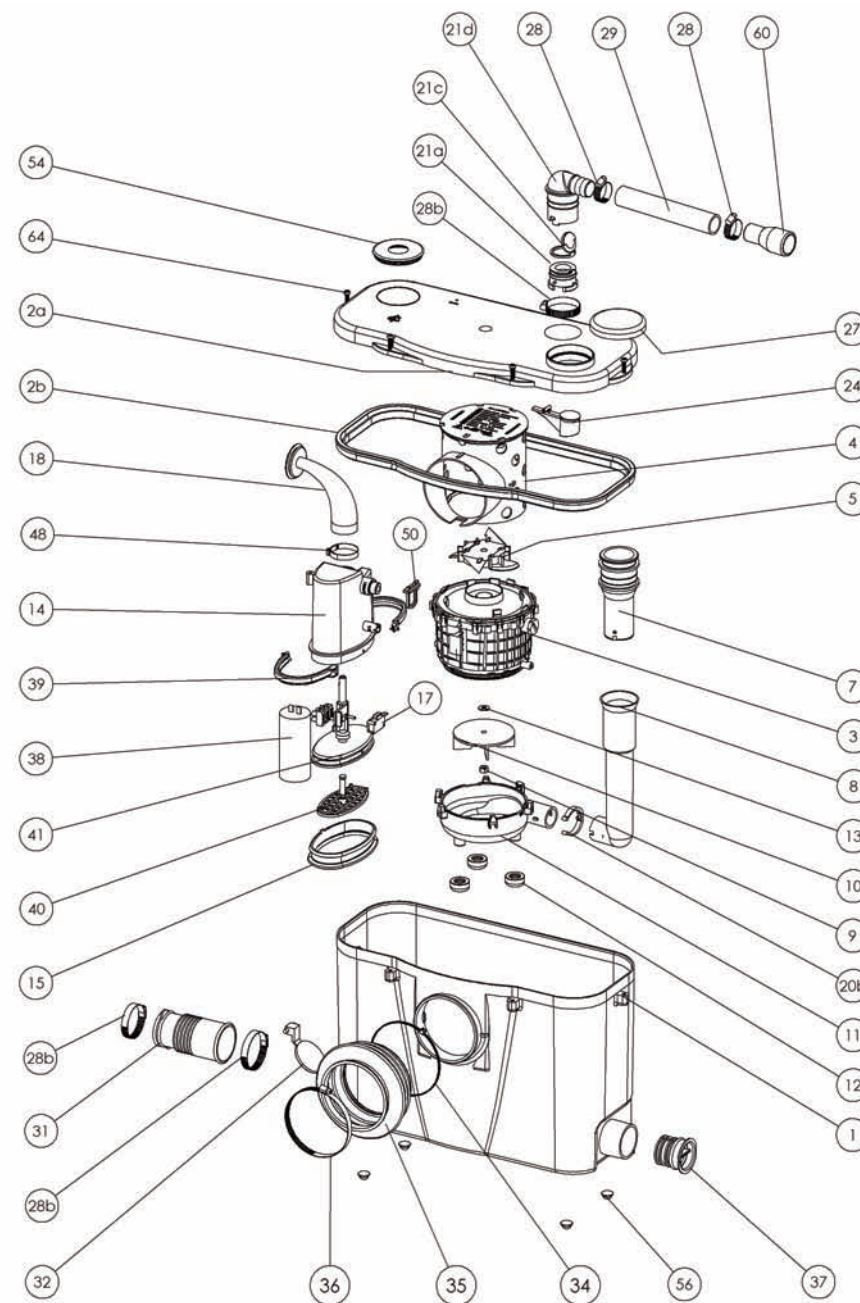
A powerful macerator that allows the installation of a **complete bathroom** with a shower



:: TECHNICAL DATA ::

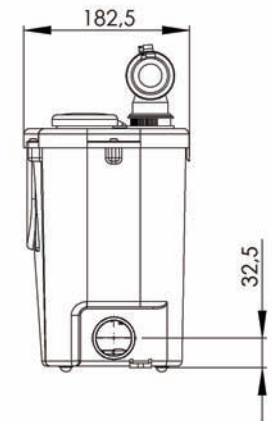
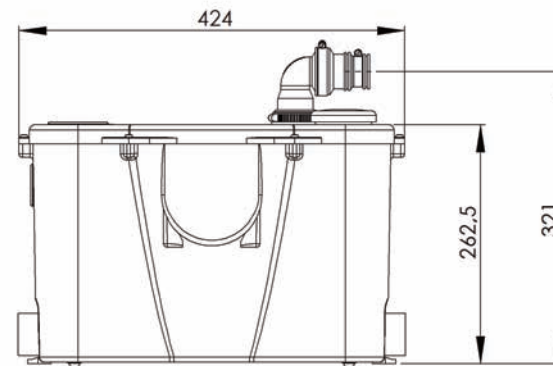


- ∨ Vertical discharge
 - ∨ Horizontal discharge*
 - ∨ Upper inlet
 - ∨ Side inlets
 - ∨ Discharge
 - ∨ Grinding system
 - ∨ Power
 - ∨ Power consumption
 - ∨ Index of protection
- Up to 4 m
 - Up to 40 m
 - 1x40mm
 - 2x40mm
 - 22-32 mm
 - Knife
 - 220-240V 50Hz
 - 400W
 - IP44

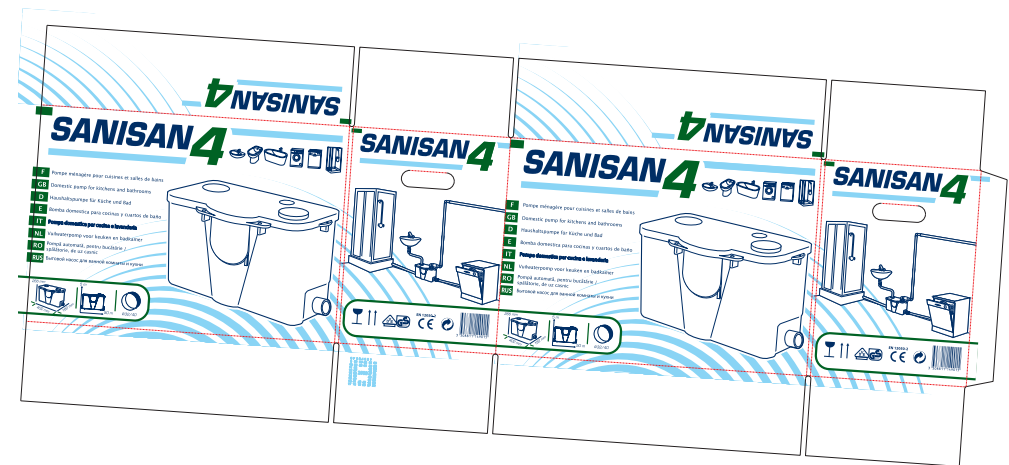


* with a slope of 1%

SANISAN4



With this pump, you can create a new kitchen or laundry room in the basement: it can discharge **water with higher temperatures**

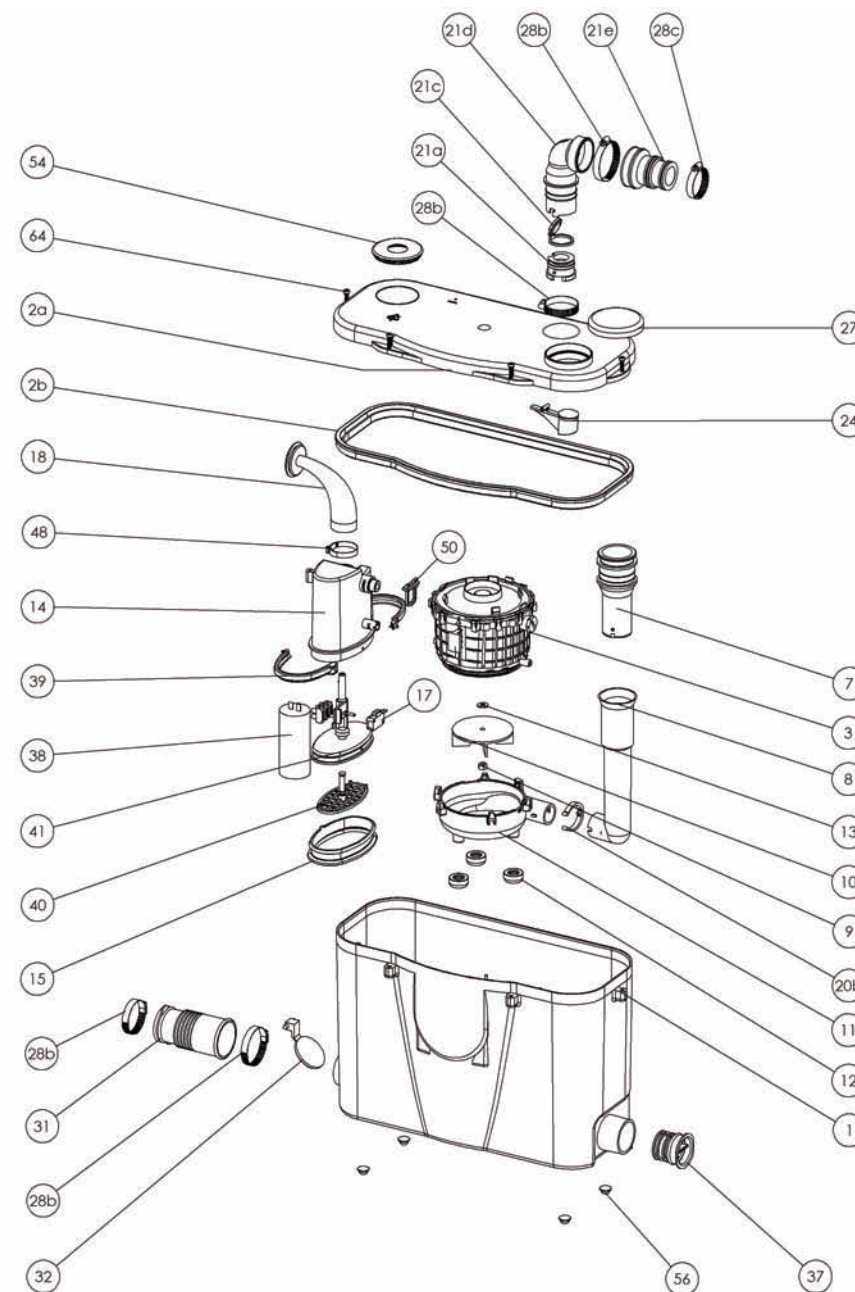


:: TECHNICAL DATA ::

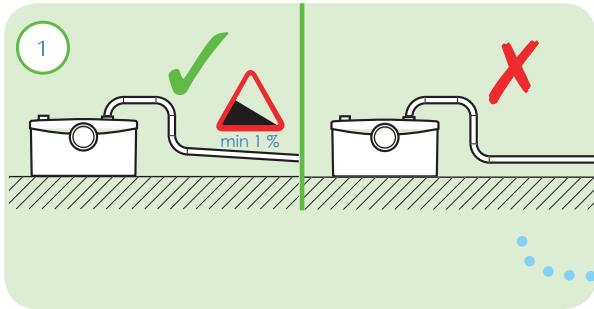


- ∨ Vertical discharge
 - ∨ Horizontal discharge*
 - ∨ Upper inlet
 - ∨ Side inlets
 - ∨ Discharge
 - ∨ Working temperature
 - ∨ Maximum temperature (5 min.)
 - ∨ Power
 - ∨ Power consumption
 - ∨ Index of protection
- Up to 5 m
 - Up to 50 m
 - 1x40mm
 - 2x40mm
 - 32 mm
 - 35°C
 - 60°C
 - 220-240V 50Hz
 - 400W
 - IP44

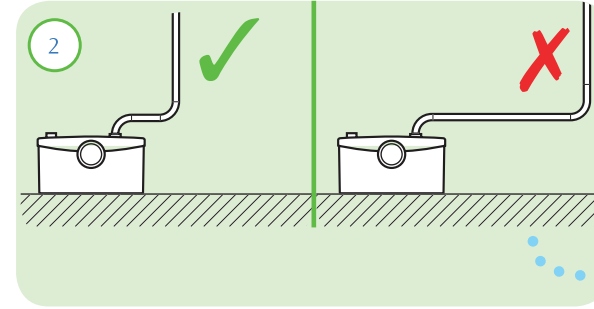
* with a slope of 1%



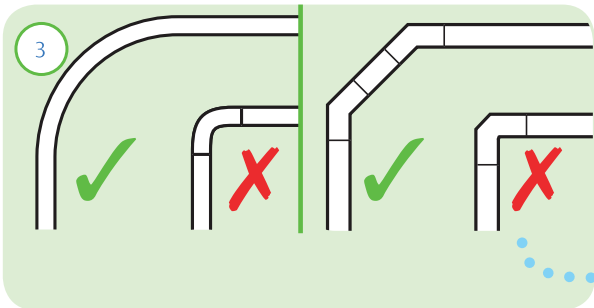
TEN GOLDEN RULES FOR CORRECT INSTALLATION



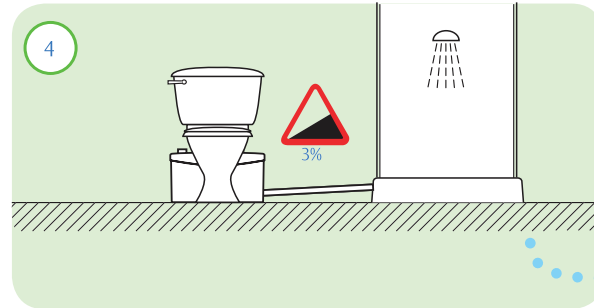
All horizontal pipes should have a minimum fall of 1:100.



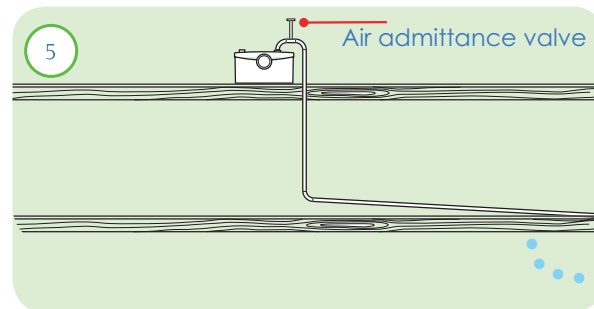
If a vertical run is needed, this should be at the start of the run (within 30cm of the unit) and from the high point there must be a minimum fall of 1:100 (see rule 1).



Bends should be smooth/long radius, not tight elbows. (Examples of copper and plastic shown.)

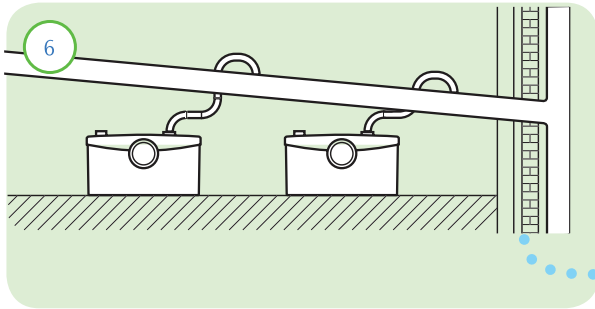


Pipes entering the macerator should have a gravity fall of 1:33.

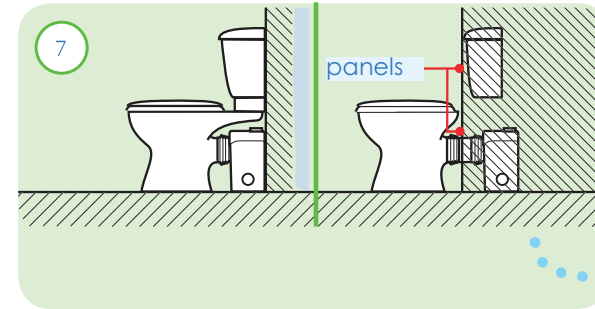


Where the pipework falls to a floor lower for example, fit an air admittance valve at the highest point capable of withstanding 10psi pressure, or increase pipe size coming down to 'break' syphon.

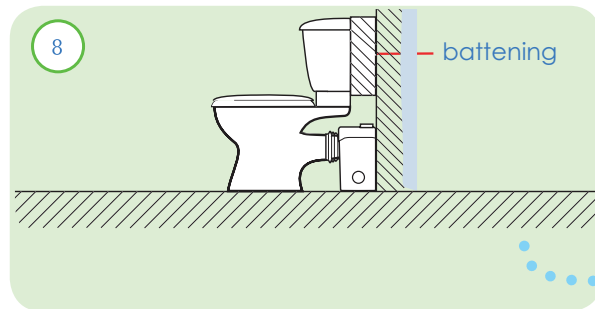
Range of macerators and pumps to improve your home



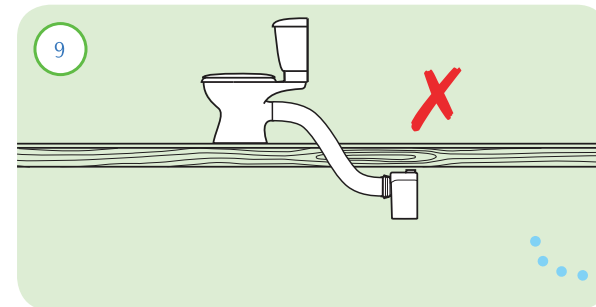
Each discharge pipe should run separately to the soil pipe. If wastes are combined, it can only be into a larger pipe, which is on a gravity fall.



The unit should be easily accessible and removable in the event of maintenance being required. If boxed in, the boxing should be easily removed. Any extension between the WC pan spigot and wall should not exceed 150mm.



Since many close coupled WC suites do not have the space between the WC pan spigot and the wall, you may have to batten the cistern off the wall to make room for the macerator.



Position the macerator behind the toilet not underneath it.



We recommend for you to use biodegradables detergents for the washing machine and dishwasher; and also use a descaler in order to keep calcium out of the system.