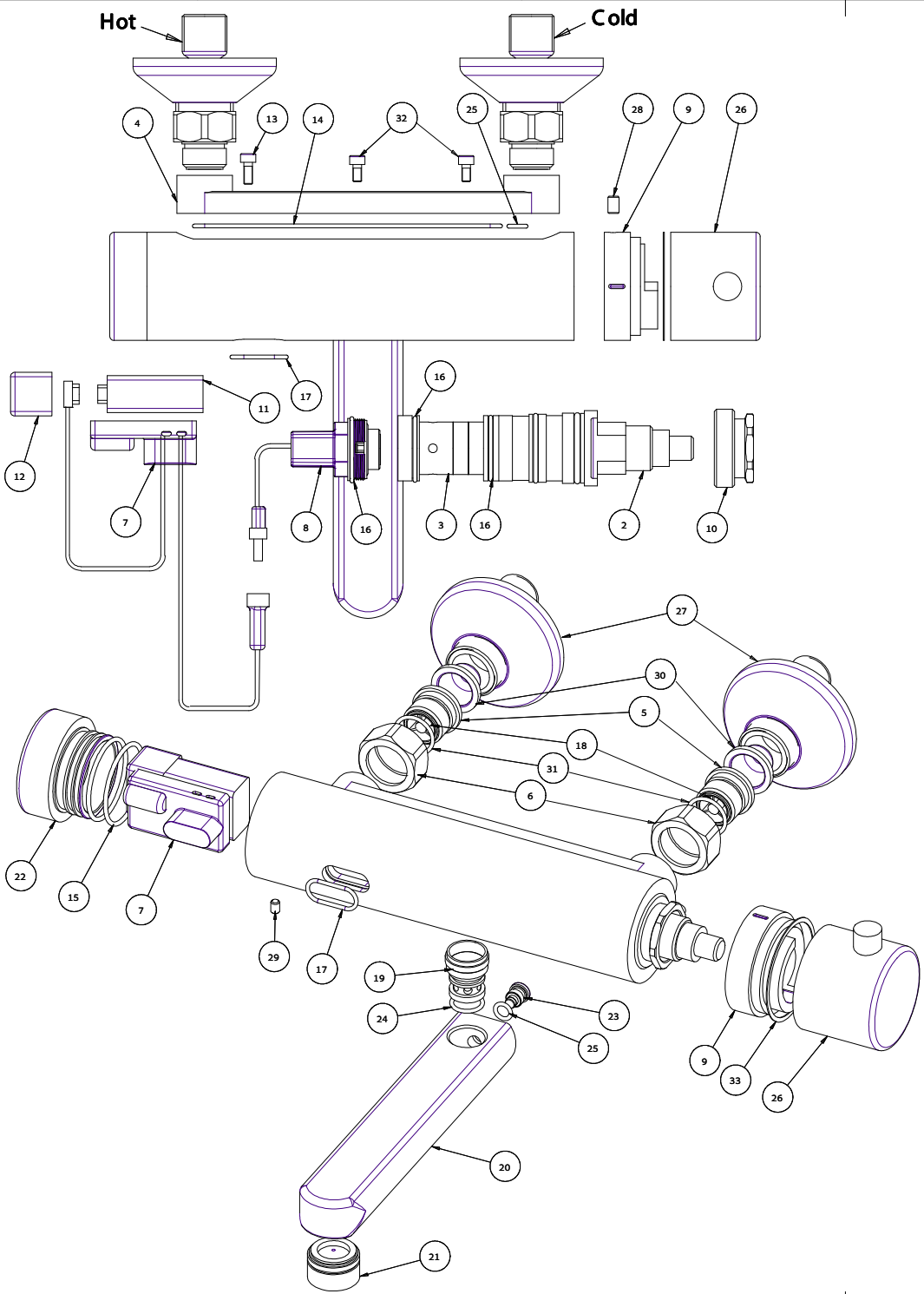


NOTES:  
1.Non-swivel spout



No	Description	Drawing No	Cat.No	Qty.	Note
33	Disk for handle D50xd45x0.5	T244-01.00.04	07120385	1	Delrin
32	Screw M4x8	DIN 912	05040408	4	
31	O-Ring 17.17x1.78	2-017	04510173	2	NBR
30	H-Filter 3/4-50/20 H14	035.4021.0	08530018	2	
29	Screw M4x6	DIN 916	05010406	1	
28	Screw M5x8	DIN 916	05010508	1	
27	Eccentric CW511L+Rosette Kit	--	09030024	2	
26	Therm.handle for Ap.Medical	--	07110018	1	
25	O-Ring 6.07x1.78	2-010	04550065	2	70EP124P
24	O-Ring 12.42x1.78	2-014	04540127	1	TIMO70 TIMO3/70
23	Screw for spout Apollo Medical LF	A50-00.00.07D	07099251	1	C38500
22	Cover for Apollo Medical	A25-00.00.05D	07020082	1	C38500
21	Aer.SSR PCA stream redirect.M24	40.6052.033	08510034	1	
20	Spout for Apollo Medical AB1953	A50-00.00.06D	07015079	1	CW724R
19	Nipple for spout Apollo Medical AB1953	A50-00.00.05D	07025325	1	CW724R
18	Valve check 15 mm	--	08520011	2	
17	O-Ring 18.77x1.78	2-018	04510193	1	NBR
16	O-ring 26.7x1.78	2-023	04550263	3	70EP124P
15	O-Ring 36.0x2.0	OR2003600	04510365	2	NBR
14	O-Ring 88.62x1.78	2-043	04551852	1	70EP124P
13	Screw M4x10	DIN 912	05040410	2	
12	Cover for Battery	K23-01.00.03D	06500001	1	NBR
11	Battery	--	06511002	1	
10	Nut for Thermostat	A01-00.00.05D	07055070	1	C38500
9	Adapter for handle Apollo Medical	A25-00.00.08D	07055067	1	C38500
8	Stern Interoperable LSV1.2WWPC1	S45-17.00.00D	07500065	1	
7	El.Unit Apollo Medical B 08-4	A25-02.00.00	08002231	1	
6	Nut 3/4"	A01-00.00.08D	07099007	2	C38500
5	Nipple Apollo Medical AB1953	A50-00.00.02D	07025324	2	CW724R
4	Adapter for body Apollo Medical AB1953	A50-00.00.04D	07055227	1	CW724R
3	Adapter Apollo Medical AB1953	A50-00.00.03D	07045039	1	CW510L
2	Thermostatic Cartridge CA43-XB	--	07110014	1	
1	Body Apollo Medical AB1953	A50-00.00.01D	07010270	1	CW510L

No	ECO	Description	Name	Date	Checked	Approval	Cat.no	314505
		Finish						
		Revision						
		Drawing no.						
		Sheet 11						
		of 11						
		A2						

Scale: 2:3 Weight: Material: Description: Apollo Medical B LF

STERN Y.STERN ENGINEERING LTD.